

# 1

## Kit 187128

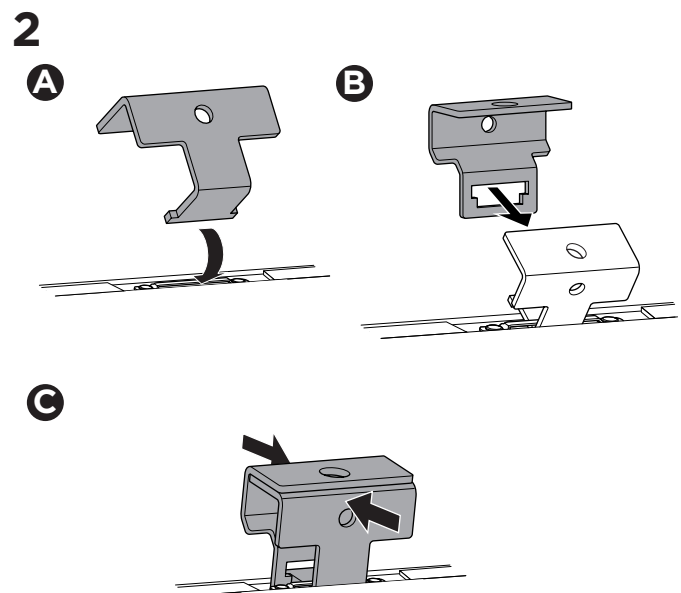
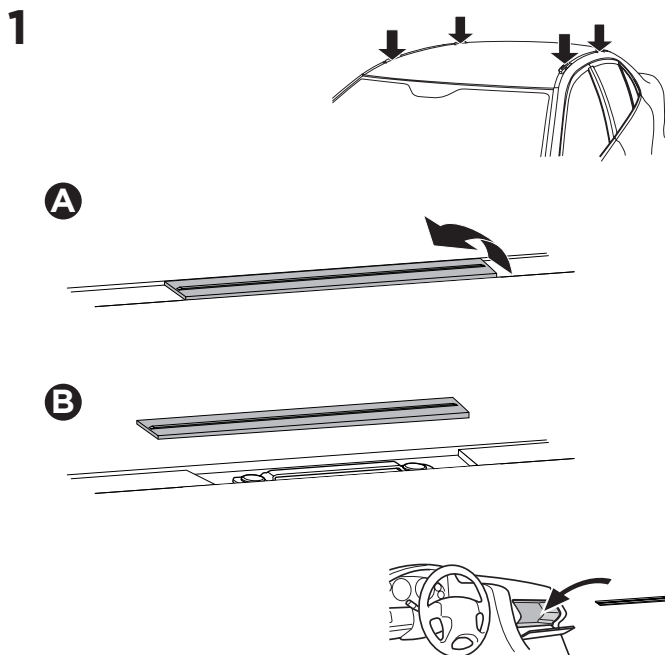
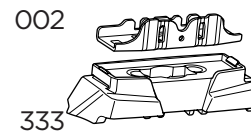
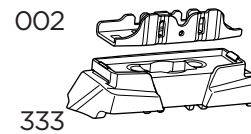
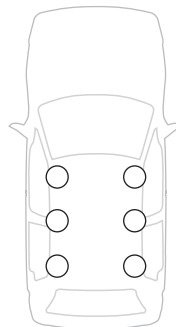
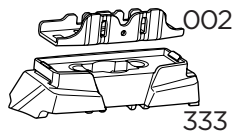
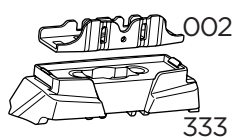
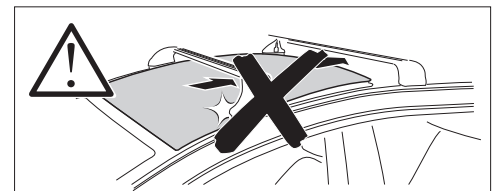
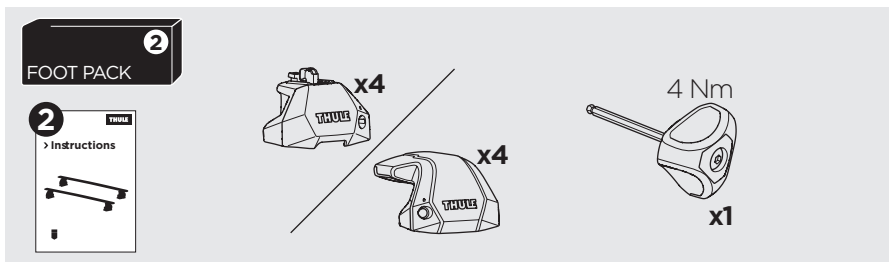
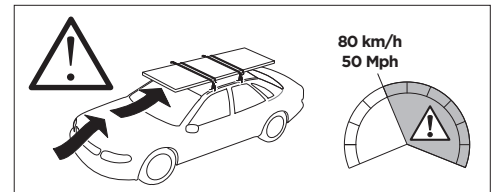
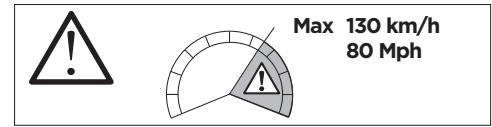
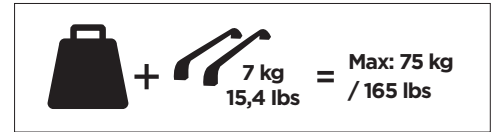
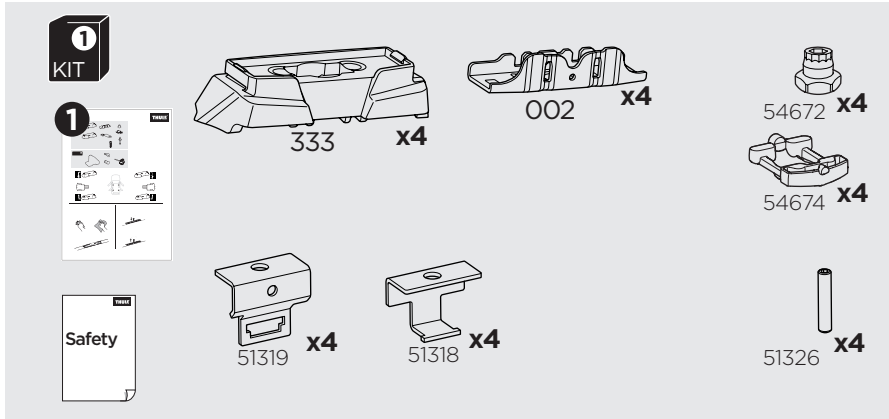
TOYOTA Land Cruiser (J200), 5-dr SUV, 08-21

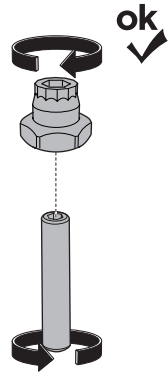
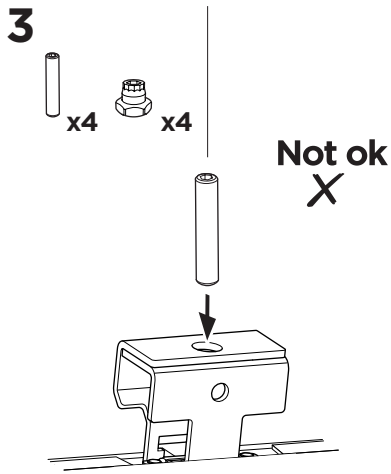


ISO 11154-E

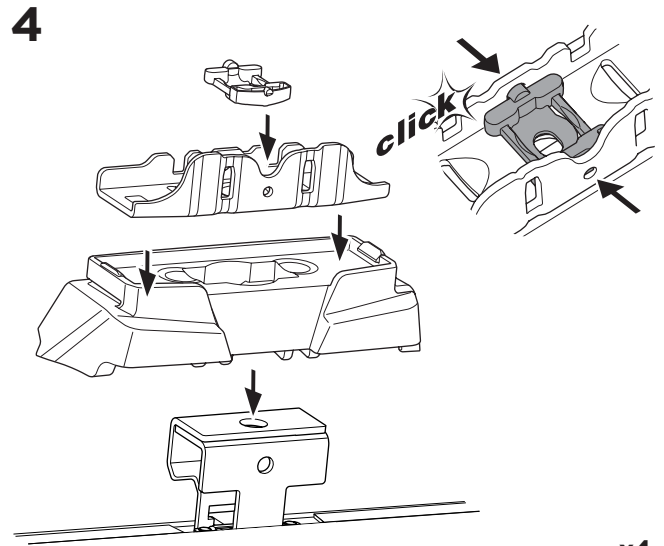


This kit is only for vehicles with fixpoint mounting.





x4



x4

